

Product data sheet

Specifications

SQUARE D



Circuit breaker, LH, 400A, 3 pole, 600VAC, 25kA, 250VDC, 50kA, lugs, thermal magnetic, short handle

LHP36400MB

Product availability: Stock - Normally stocked in distribution facility

Price*: 7,598.00 USD

Main

Product or Component Type	Circuit breaker
Trip Unit Technology	Thermal-magnetic

Complementary

Line Rated Current	400 A
Number of Poles	3P
Breaking capacity code	H
Mounting Mode	Unit mount
Operator	Short lever
Electrical connection	Lugs, load Terminal, line
Terminal identifier	AL400LA
Tightening torque	115.06 lbf.in (13 N.m) 0.07...0.5 in ² (42...304 mm ²) (AWG 1...600 kcmil) 115.06 lbf.in (13 N.m) 0.07...0.2 in ² (42...127 mm ²) (AWG 1...250 kcmil)
Height	12.5 in (317.5 mm)
Width	6 in (152.4 mm)
Depth	4 in (101.6 mm)
Circuit breaker application	HACR rated

Environment

Certifications	UL Listed CSA
----------------	------------------

Ordering and shipping details

Category	US10DE200935
Discount Schedule	0DE2
GTIN	785901205128
Returnability	Yes
Country of origin	MX

Packing Units

Price is "List Price" and may be subject to a trade discount – check with your local distributor or retailer for actual price.

Unit Type of Package 1	PCE
Number of Units in Package 1	1
Package 1 Height	9.09 in (23.1 cm)
Package 1 Width	11.50 in (29.2 cm)
Package 1 Length	17.40 in (44.2 cm)
Package 1 Weight	15.7 lb(US) (7.1 kg)

Contractual warranty

Warranty	18 months
-----------------	-----------

Environmental Data

Schneider Electric aims to achieve Net Zero status by 2050 through supply chain partnerships, lower impact materials, and circularity via our ongoing “Use Better, Use Longer, Use Again” campaign to extend product lifetimes and recyclability.

[How this information helps you >](#)

Environmental footprint

[Environmental Disclosure](#)

[Product Environmental Profile](#)

Use Better

Materials and Substances

Packaging made with recycled cardboard **Yes**

Packaging without single use plastic **Yes**

EU RoHS Directive **Compliant with Exemptions**

SCIP Number **45160aaa-1457-439f-bca7-7bd5246ac23e**

REACH Regulation [REACH Declaration](#)

China RoHS Regulation [China RoHS declaration](#)

California proposition 65 **WARNING: This product can expose you to chemicals including: DINP, which is known to the State of California to cause cancer, and DIDP, which is known to the State of California to cause birth defects or other reproductive harm. For more information go to www.P65Warnings.ca.gov**

PVC free **Yes**

Use Again

Repack and remanufacture

Circularity Profile

No need of specific recycling operations

Halogen content performance

Halogen free plastic parts product

Take-back

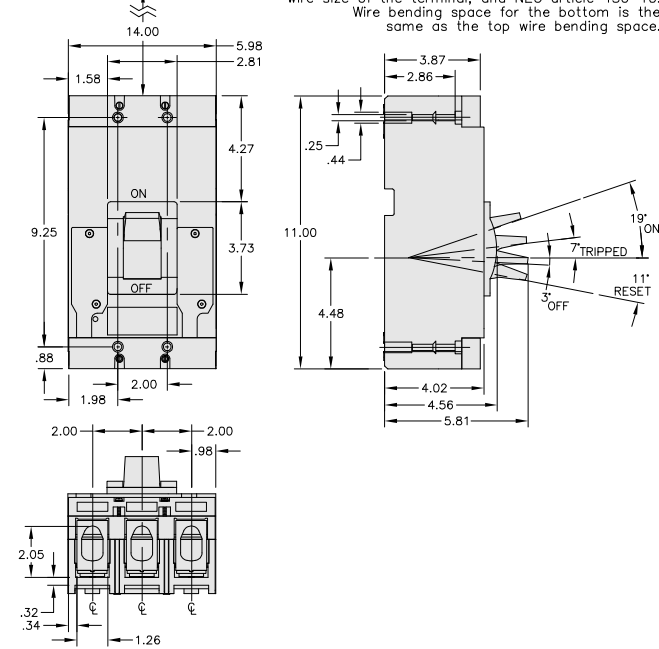
No

Technical Illustration

Dimensions

Electrical Clearance / Wire Bending Space

Wire bending space is based upon the maximum wire size of the terminal, and NEC article 430-10. Wire bending space for the bottom is the same as the top wire bending space.



ALL DIMENSIONS ARE APPROXIMATE. ALSO SEE CAD, TECHNICAL DRAWINGS, AND TECHNICAL DOCUMENTATION